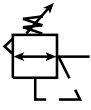
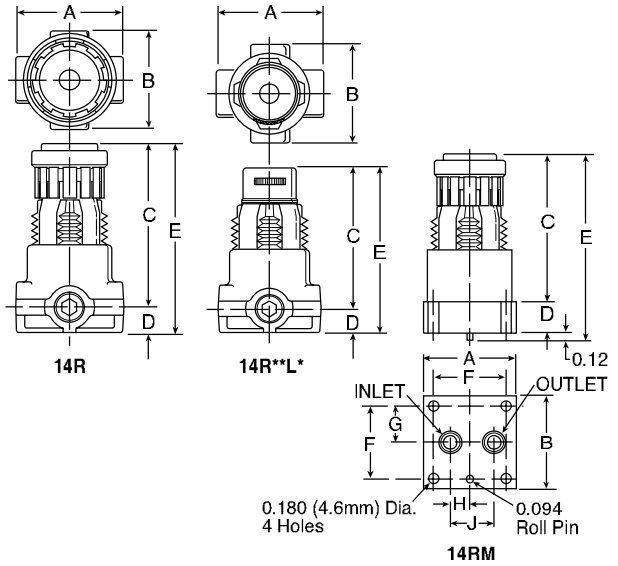


14R Regulators – Miniature



Features

- Unbalanced poppet standard.
- Solid control piston with lip seal for extended life.
- Non-rising adjusting knob.
- Compact, 2.88 inch (73.2mm) high by 1.65 inch (42mm) wide.
- Easily serviced.
- High Flow: 1/8" – 13 SCFM[§]
 1/4" – 15 SCFM[§]



Port Size	NPT
Without Gauge	
1/8"	14R013F*
1/4"	14R113F*
With Gauge	
1/8"	14R018F*
1/4"	14R118F*

14R Regulator Dimensions					
14R	A	B	C	D	E
	1.65 (42)	1.56 (40)	2.50 (63.5)	0.38 (10)	2.88 (73)
14R**L*	A	B	C	D	E
	1.65 (42)	1.56 (40)	2.28 (57.9)	0.38 (10)	2.68 (68)
14RM	A	B	C	D	E
	1.50 (38)	1.50 (38)	2.36 (60)	0.50 (13)	2.98 (73)
	F	G	H	J	
	1.188 (30)	0.594 (15)	0.325 (8)	0.725 (18)	

Standard part numbers shown bold. For other models refer to ordering information below.

NOTE: 1.218 Dia. (31mm) hole required for panel mounting.

§ SCFM = Standard cubic feet per minute at 100 PSIG inlet, 90 PSIG no flow secondary setting and 10 PSIG pressure drop.

Inches (mm)

Ordering Information

NOTE: BOLD OPTIONS ARE STANDARD.



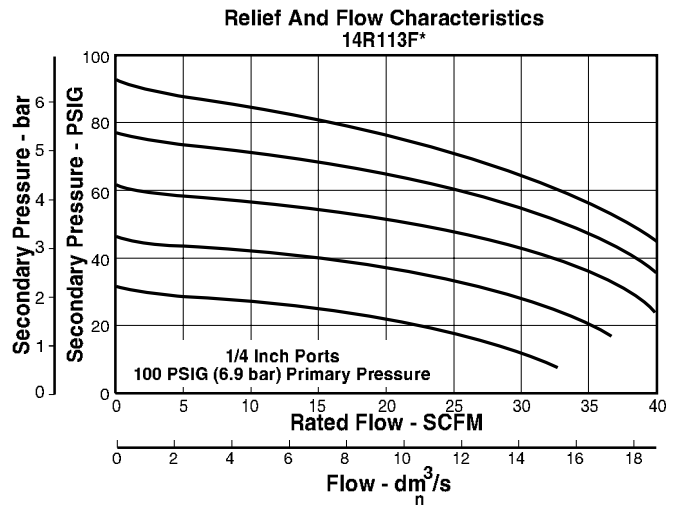
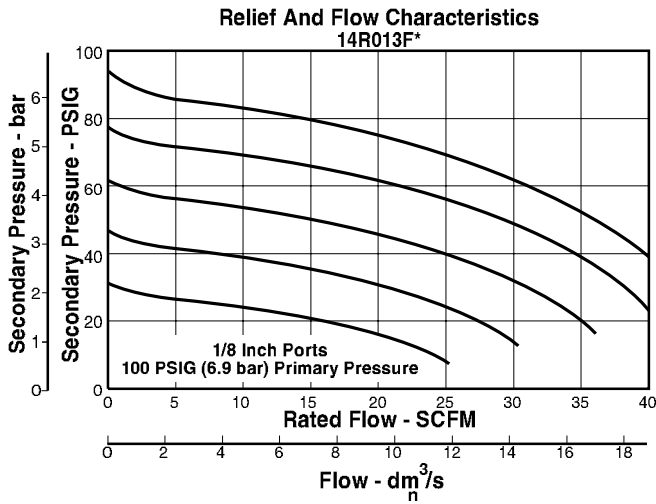
Port Size	Pressure Range	Relief	Port Type	Options	Preset / Pressure Limited
0. 1/8 Inch Pipe, 1/8 Inch Gauge Port 1. 1/4 Inch Pipe, 1/8 Inch Gauge Port B. 1/4 Inch Pipe, 1/4 Inch Gauge Port C. 1/8 Inch Pipe, No Gauge Port D. 1/4 Inch Pipe, No Gauge Port M. Manifold Mounting	<u>Without Gauge</u> Yellow Knob Black Knob 10. 30 PSIG B0. 30 PSIG 11. 60 PSIG B1. 60 PSIG 12. 15 PSIG B2. 15 PSIG 13. 125 PSIG B3. 125 PSIG <u>With Gauge</u> 15. 30 PSIG B5. 30 PSIG 16. 60 PSIG B6. 60 PSIG 17. 15 PSIG B7. 15 PSIG 18. 125 PSIG B8. 125 PSIG	F. Relieving G. Non-Relieving	Blank. NPT 1. BSPP 2. BSPT	Blank. No Options L. † Preset Non-Adjustable P. † Preset Adjustable S. † Pressure Limiter Max. Adjustable T. † Pressure Limiter Max. Non-Adjustable	Blank. None XXX* Preset Pressure XXX* Pressure Limited * Available Preset / Pressure Limited Range, 10 to 90 PSIG in 5 PSIG increments. For higher pressures, contact factory. (Example: 065 = 65 PSIG)

Engineering Change Designator
 Will be entered at factory.

† Inlet Pressure is 100 PSIG. For other pressures, contact factory.

Spring Type by Preset / Limited Pressure:
 For Preset / Limited Pressure 10 to 25 use 30 PSI Spring
 For Preset / Limited Pressure 26 to 50 use 60 PSI Spring
 For Preset / Limited Pressure 51 to 90 use 125 PSI Spring

Technical Information



CAUTION:

REGULATOR PRESSURE ADJUSTMENT – The working range of knob adjustment is designed to permit outlet pressures within their full range. Pressure adjustment beyond this range is also possible because the knob is not a limiting device. This is a common characteristic of most industrial regulators, and limiting devices may be obtained only by special design.

For best performance, regulated pressure should always be set by increasing the pressure up to the desired setting.

⚠ WARNING

**Product rupture can cause serious injury.
Do not connect regulator to bottled gas.
Do not exceed maximum primary pressure rating.**

14R Regulator Kits & Accessories

- Body Service Kit – Unbalanced PS424BP
- Bonnet Assembly Kit..... L01369
- Gauges – 30 PSIG, 1/8" NPT (0 to 2.1 bar) P530156
- 60 PSIG, 1/8" NPT (0 to 4.1 bar) P530154
- 160 PSIG, 1/8" NPT (0 to 11.0 bar)..... P77413
- 60 PSIG, 1/4" NPT (0 to 4.1 bar) P781641
- 160 PSIG, 1/4" NPT (0 to 11.0 bar) P781642
- Mounting Bracket Kit (Includes Panel Mount Nut) PS417BP
- Panel Mount Nuts –Plastic..... P78652
- Metal P01531
- Service Kits – Non-Relieving PS422P
- Relieving PS423P
- Springs– 1-15 PSIG Range (Yellow) P01176
- 1-30 PSIG Range (Black) P01175
- 1-60 PSIG Range (White) P01174
- 2-125 PSIG Range (Gold) P01173

Specifications

- Gauge Ports (2) 1/8 or 1/4 Inch
(Can be used for Full Flow)
- Port Threads 1/8, 1/4 Inch
- Pressure & Temperature Ratings – 0 to 300 PSIG (0 to 20.7 bar)
32°F to 125°F (0°C to 52°C)
- Secondary Pressure Ranges –

 - Standard Pressure 2 to 125 PSIG (0 to 8.6 bar)
 - Medium Pressure 1 to 60 PSIG (0 to 4.1 bar)
 - Medium Pressure 1 to 30 PSIG (0 to 2.1 bar)
 - Low Pressure 1 to 15 PSIG (0 to 1 bar)

- Weight – 14R, 14RM, 14**L* 0.3 lb. (0.14 kg)

Materials of Construction

- Adjusting Nut Brass
- Adjusting Stem & Spring Steel
- Body Zinc
- Bonnet, Seat, Piston & Valve Poppet Plastic
- Seals Nitrile