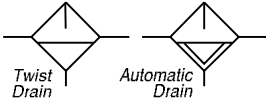
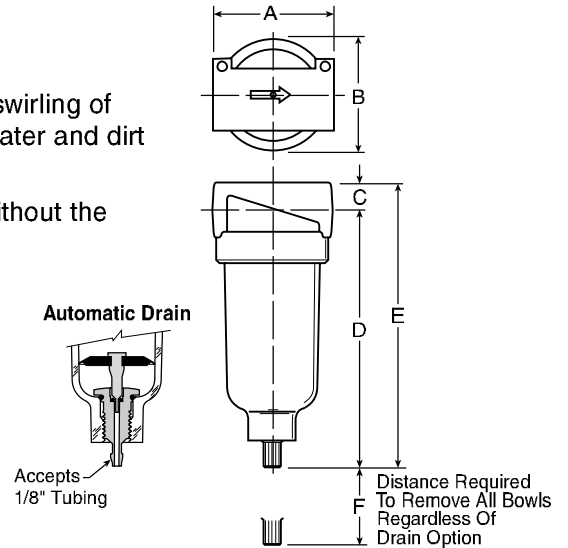


14F Filters – Miniature



Features

- Excellent water removal efficiency.
- Unique deflector plate that creates swirling of the air stream ensuring maximum water and dirt separation.
- Easily disassembled for servicing without the use of tools.
- Interchangeable twist and automatic pulse drains.
- High Flow: 1/8" – 22 SCFM §
 1/4" – 24 SCFM §



Port Size	NPT	
	Twist Drain	Automatic Pulse Drain
Poly Bowl ‡		
1/8"	14F01B*	14F05B*
1/4"	14F11B*	14F15B*
Metal Bowl without Sight Gauge		
1/8"	14F03B*	14F07B*
1/4"	14F13B*	14F17B*

14F Filter Dimensions		
A 1.69 (43)	B 1.56 (39.6)	C 0.39 (10)
D 3.82 (97)	D† 3.67 (93)	E 4.21 (107)
E† 4.06 (103)	F 1.60 (41)	

Standard part numbers shown bold. For other models refer to ordering information below.

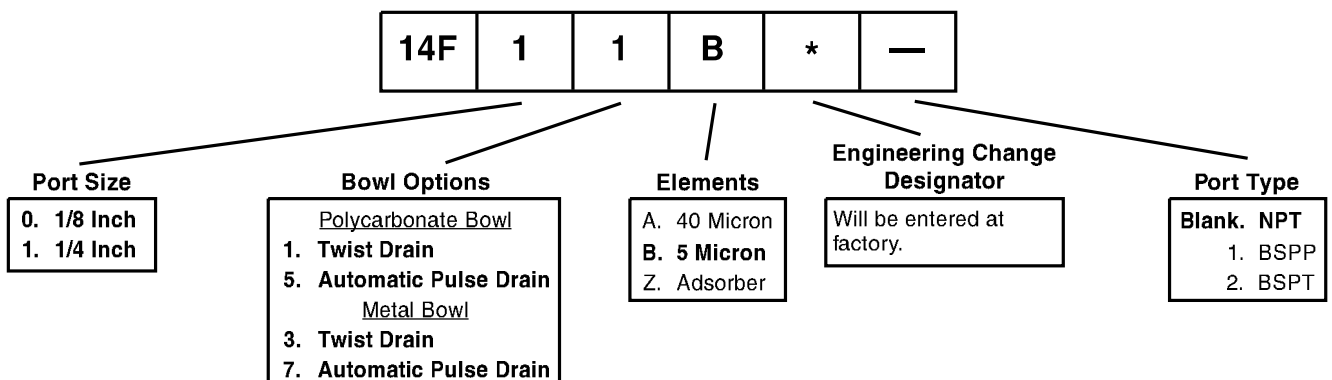
‡ For polycarbonate bowl see [Caution on page 1](#).

§ SCFM = Standard cubic feet per minute at 90 PSIG inlet and 5 PSIG pressure drop.

Inches (mm)

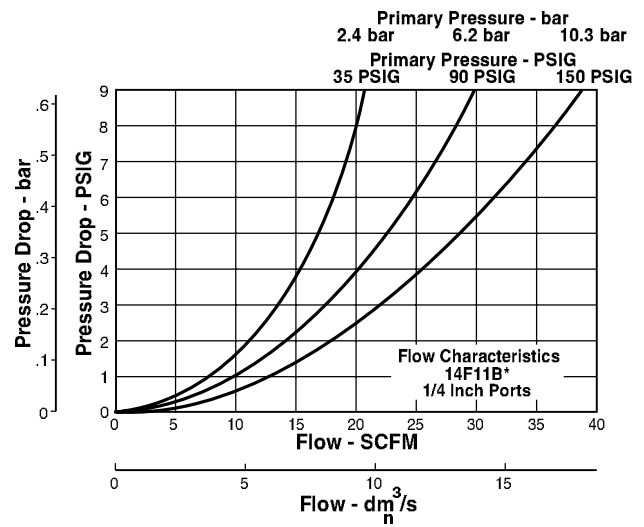
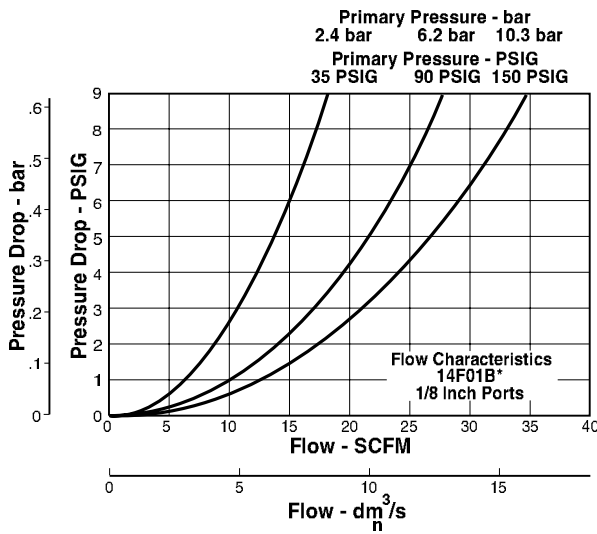
† With Automatic Pulse Drain

Ordering Information



NOTE: BOLD OPTIONS ARE STANDARD.

Technical Information



14F Filter Kits & Accessories

Bowl Kits –

- Poly Bowl – Automatic Pulse Drain PS408P
- Twist Drain PS404P
- Metal Bowl – Automatic Pulse Drain PS451P
- Twist Drain PS447BP

Filter Element Kits –

- 40 Micron PS401P
- 5 Micron PS403P
- 5 Micron Cartridge Kit PS407P
- Adsorber PS452P

- Mounting Bracket Kit PS417BP

Specifications

- Automatic Pulse Drain Tube Barb 1/8 Inch
- Bowl Capacity 1 Ounce
- Port Threads 1/8, 1/4 Inch
- Pressure & Temperature Ratings –
 - Polycarbonate Bowl – 0 to 150 PSIG (0 to 10.3 bar)
32°F to 125°F (0°C to 52°C)
 - Metal Bowl – 0 to 250 PSIG (0 to 17.2 bar)
32°F to 175°F (0°C to 80°C)
 - Automatic Pulse Drain – 10 to 250 PSIG (0.7 to 17.2 bar)
at 125°F (52°C) or less
- Weight 0.41 lb. (0.18 kg)

Materials of Construction

- Body Zinc
- Bowls Transparent Polycarbonate
Metal (Zinc) Bowl w/o Sight Gauge
- Deflector, Element Holder & Baffle Plastic
- Drains – Twist Drain –
 - Body & Stem Plastic
 - Seals Nitrile
- Automatic Pulse Drain –
 - Piston & Seals Nitrile
 - Stem, Seat, Adaptor & Washers Aluminum
- Filter Elements –5 Micron (Standard) Plastic
40 Micron (Optional) Plastic
Adsorber (Optional) Activated Charcoal
- Seals Nitrile